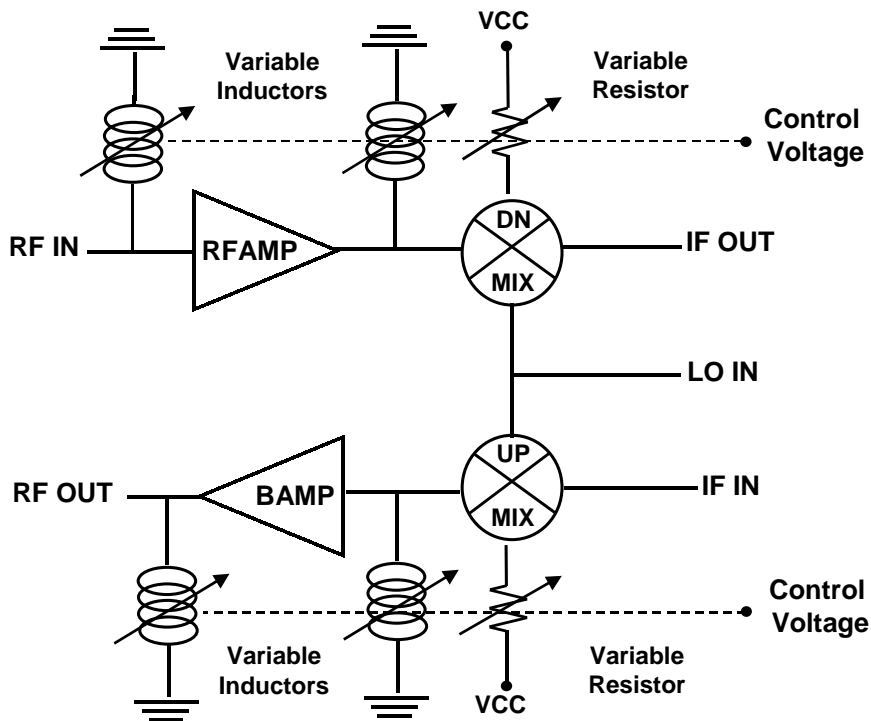
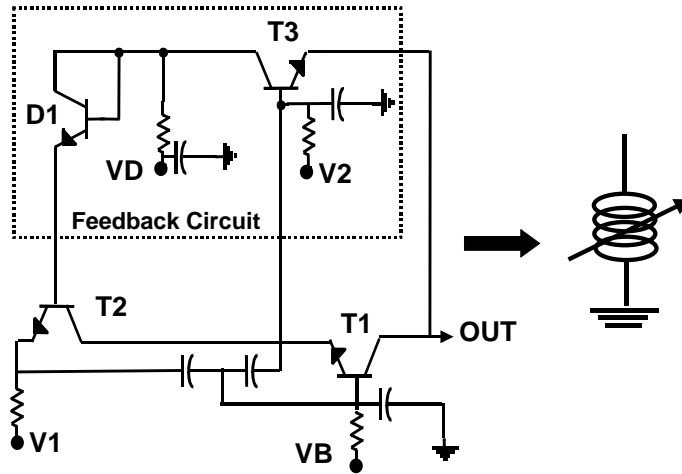


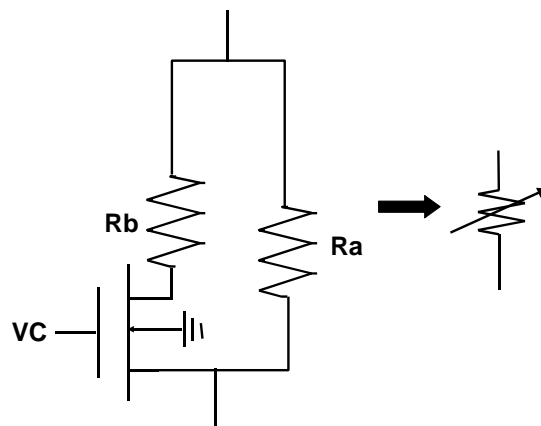
Software Defined Radio (SDR) Concept



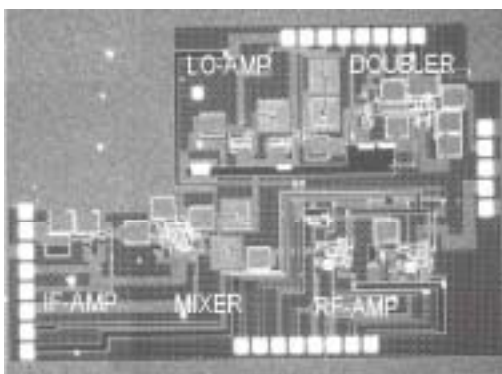
Basic concept for the multi-mode transceiver



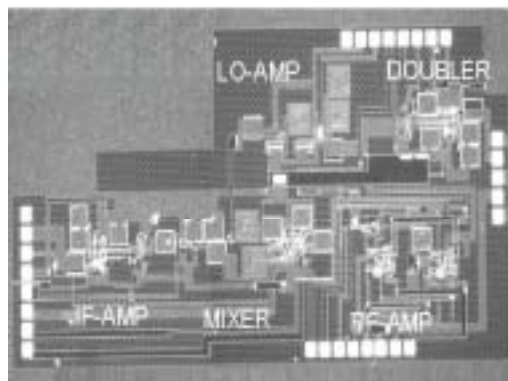
Simplified circuit diagram for variable active inductor



Variable resistor circuit diagram



(a)



(b)

Receiver (a) and transmitter (b) chip photos